

FilterBox Hygiene a parete

50 Hz

A versatile unit without extraction arm for connection to external fan.

FilterBox Hygiene Wall is suitable for installations with a central fan and multiple FilterBox units. The unit is delivered with a wall bracket for easy installation.

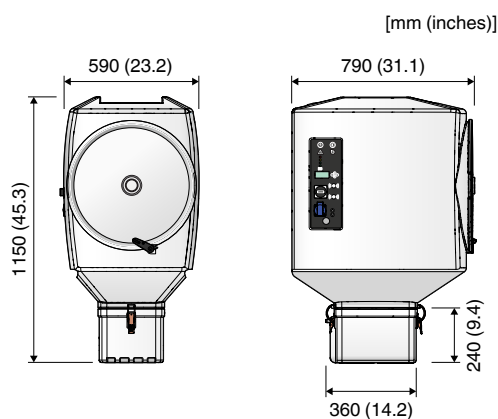
The model has automatic cleaning with an advanced filter control system that starts the cleaning process automatically when the air flow is too low. All versions have mechanical cleaning.

Standard features

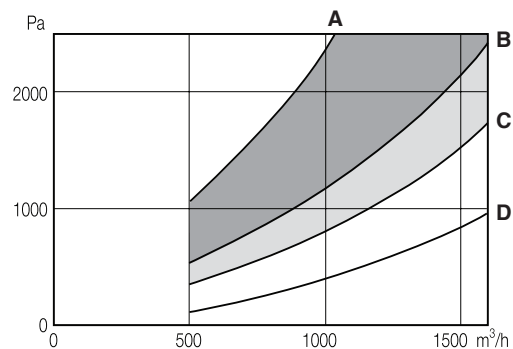
- Dust free emptying of dust bin
- Ergonomic change of filter cartridge
- Polyester filter cartridges with 99% separation efficiency
- Automatic version with integrated LCD display
- Automatic damper minimizing dust leakage during pneumatic cleaning



Dimensions



Pressure drop



The pressure drop across FilterBox varies with air flow and dust load. Maintaining a certain average air flow with increasing dust load requires a shorter interval between cleanings.

- A. Heavy load
- B. Light load, welding
- C. Light load, dust
- D. Clean filter cartridge

Grey areas describe average operating range

Technical Data

Air flow	Up to 1300 m ³ /h (750 CFM)
Fan	-
Filter cartridge	13 m ² PW13, polyester
Filtration efficiency	99 %*
Weight	54 kg (119 lbs)
Noise level	60 dB(A)

* average weight filtration efficiency

Models

Assembly	Filter cleaning system	Voltage (V)	Frequency (Hz)	Phases	Filter cleaning method	Article number
Wall	Automatic	230	50/60	1	Mechanical	12682463
Wall	Automatic	110	50/60	1	Mechanical	12682563

Accessories

Accessory	Description	Article number
Plastic bag	Bags for dust bin	12376618

Replacement filters

Replacement filters	Used for	Filtration efficiency (%)	Filter surface, m ² (ft ²)	Article number
Standard filter cartridge PW13	Welding, dust	99	13 (140)	12332672
High efficiency filter cartridge PWHE15	Dust, stainless steel welding	99.9	15 (162)	12371106
Antistatic high efficiency filter cartridge PWAHE15	Dust	99.9	15 (162)	12371412